

Arctica Signature Series

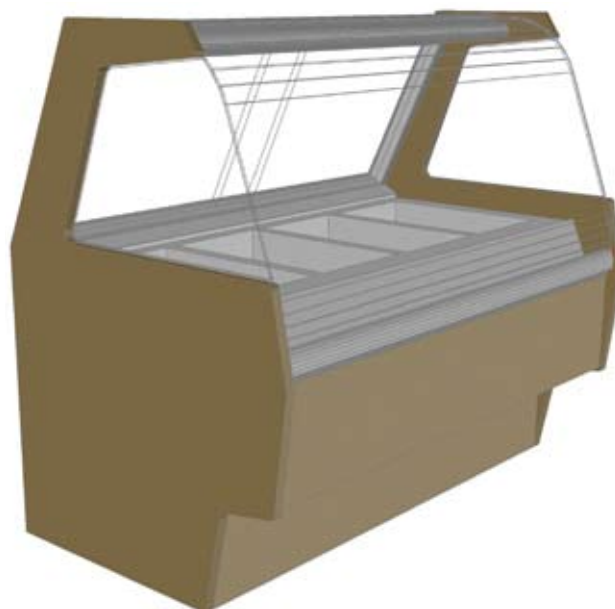
Presentation is Everything™

Standard Hot 52"

- HDE-38-52 38.25"L x 34.19"D x 52.00"H
- HDE-48-52 47.81"L x 34.19"D x 52.00"H
- HDE-57-52 57.38"L x 34.19"D x 52.00"H
- HDE-76-52 76.50"L x 34.19"D x 52.00"H
- HDE-96-52 95.63"L x 34.19"D x 52.00"H
- HDE-115-52 114.75"L x 34.19"D x 52.00"H

*Arctica recommended for:
Prepared Foods.*

Item #:	_____
Project:	_____
Date:	_____



Standard Hot 52"	Standard Specifications:	Options:
Construction	<input type="checkbox"/> Welded aluminum frame construction <input type="checkbox"/> Levelers <input type="checkbox"/> Brushed steel interior <input type="checkbox"/> Tilt-out front glass	<input type="checkbox"/> Lift-up front glass
Glass	<input type="checkbox"/> Low profile glass (DL)	<input type="checkbox"/> Flat glass (FG)
Aluminum Trim	<input type="checkbox"/> Satin finish	<input type="checkbox"/> Chrome anodized <input type="checkbox"/> Brass anodized <input type="checkbox"/> Epoxy powder painted (colour): _____
End/Divider Glass	<input type="checkbox"/> 1/4" tempered glass	<input type="checkbox"/> 1/4" tempered glass mirrored
Sliding Doors	<input type="checkbox"/> Clear Thermopane	<input type="checkbox"/> Thermopane mirrored
End Panels/Decorboard/ Kickboard	<input type="checkbox"/> Plastic laminate	<input type="checkbox"/> Stainless steel
Fold-Down Work Shelf	<input type="checkbox"/> Wilsonart frosty white	<input type="checkbox"/> Saniboard <input type="checkbox"/> Surell (similar to Corian) <input type="checkbox"/> Stainless steel
Equipment	<input type="checkbox"/> Defogging system	<input type="checkbox"/> Auto-fill system

1.800.839.5536

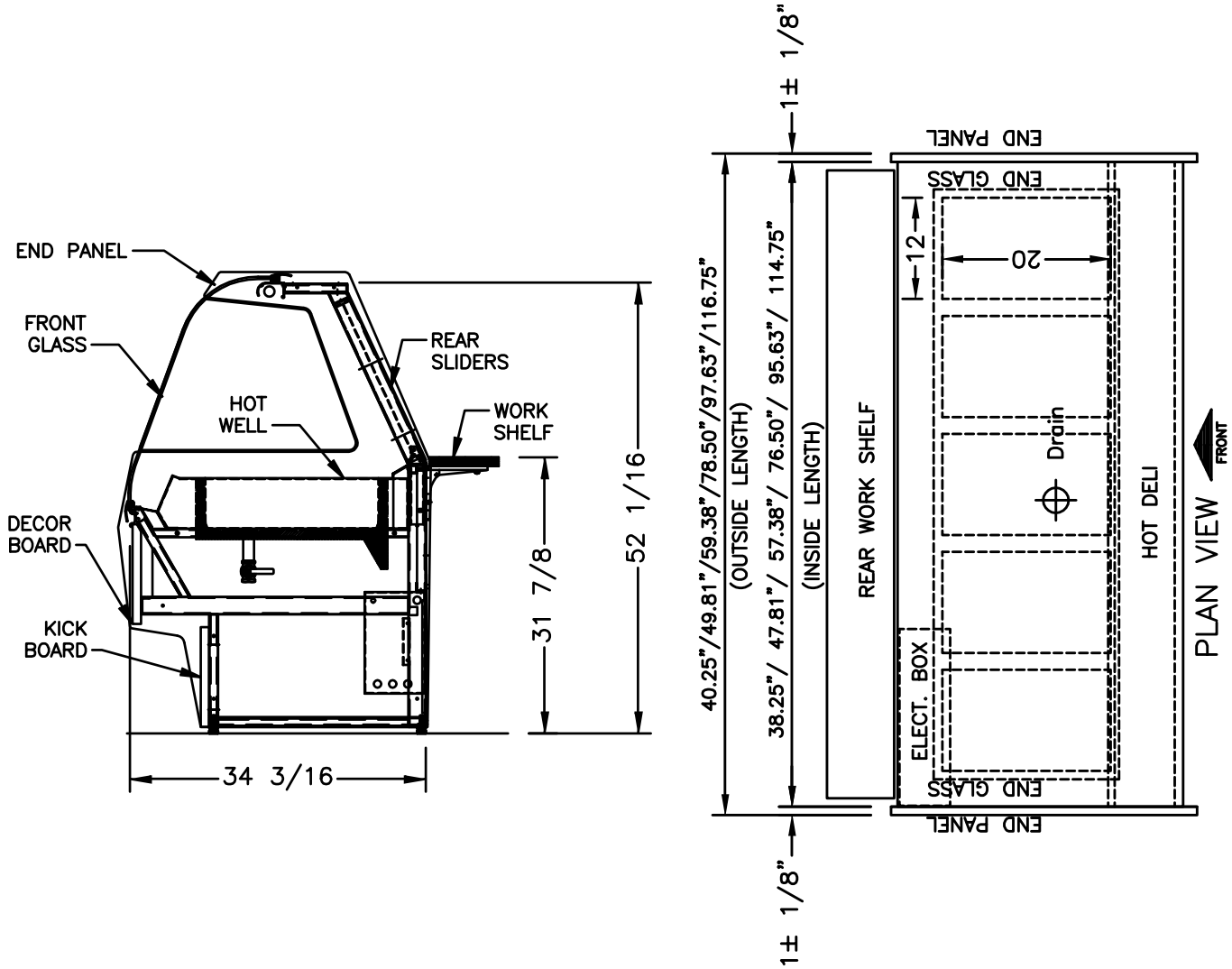
www.arctica.ca



Arctica Signature Series

Presentation is Everything™

Standard Hot 52"



Model	Length (inches)	Length (millimeters)	Voltage (Hot Wells)	Amps (Hot Wells)	Voltage (O.H. Heater)	Amps (O.H. Heater)
HDE-38-52	38.25"	972mm	230V / 1 / 60	10.0	115V / 1 / 60	6.5
HDE-48-52	47.81"	1,214mm	230V / 1 / 60	15.0	115V / 1 / 60	9.0
HDE-57-52	57.38"	1,457mm	230V / 1 / 60	20.0	115V / 1 / 60	11.5
HDE-76-52	76.50"	1,943mm	230V / 1 / 60	25.0	115V / 1 / 60	16.0
HDE-96-52	95.63"	2,429mm	230V / 1 / 60	30.0	115V / 1 / 60	17.5
HDE-115-52	114.75"	2,915mm	230V / 1 / 60	35.0	115V / 1 / 60	22.5

SPECS: aluminum support frame; leveling legs; brushed stainless steel interior; epoxy painted upper structure; anodized aluminum trim; .25 tempered shelf; end and front curved glass; tilt-out front glass standard.; lights with spectrum sleeves all shelves; laminated plywood finish; ETL sanitation listed to NSF Standard 2, 4 and 7.

