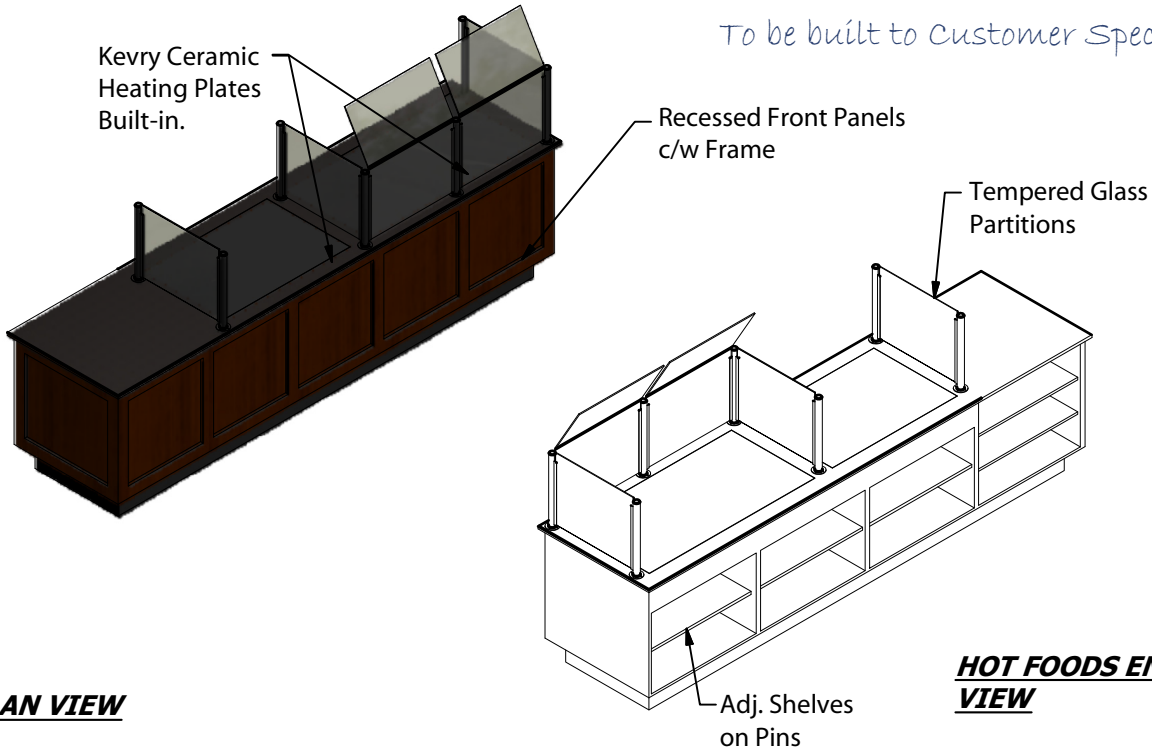


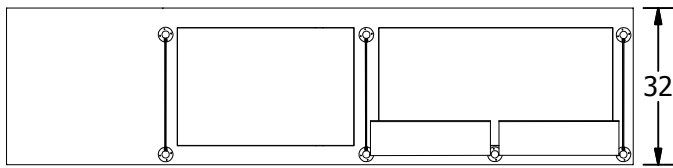
HOT FOODS COUNTER - Example

Item #: \_\_\_\_\_  
 Project: \_\_\_\_\_  
 Date: \_\_\_\_\_

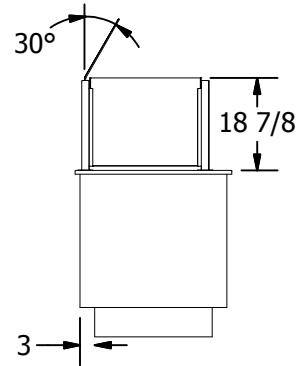
*To be built to Customer Specifications.*



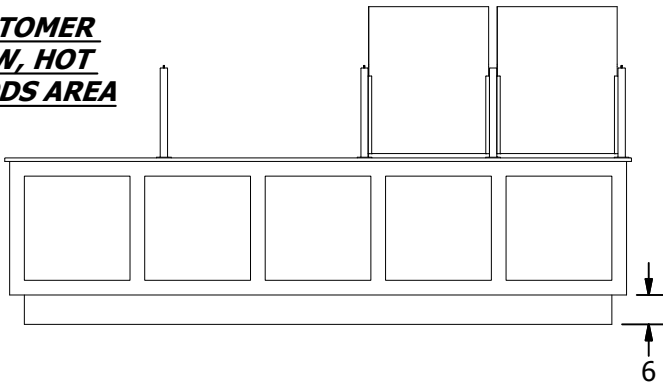
**PLAN VIEW**



**HOT FOODS END VIEW**



**CUSTOMER VIEW, HOT FOODS AREA**



Standard Specifications:	Options:
<ul style="list-style-type: none"> <li>⌘ Cabinet Construction - White Melamine</li> <li>⌘ Exterior - Customer Specification</li> <li>⌘ Counter Top - Plastic Laminate</li> </ul>	<ul style="list-style-type: none"> <li>⌘ Solid Surface Counter Top</li> </ul>